

# Reach truck 1.2 - 1.6 ton



**Toyota**

*8FBRE-S*

8FBRE12S

8FBRE14S

8FBRE16S



# Reach truck

Truck specifications					8FBRE12S	8FBRE14S	8FBRE16S	
Identification	1.1	Manufacturer			Toyota	Toyota	Toyota	
	1.2	Model			8FBRE12S	8FBRE14S	8FBRE16S	
	1.3	Drive			Electric	Electric	Electric	
	1.4	Operator type			Seated	Seated	Seated	
	1.5	Load capacity/rated load	Q	kg	1200	1400	1600	
	1.6	Load centre	c	mm	600	600	600	
	1.8	Load distance, centre of support arm wheel to face of forks	x	mm	415	415	343	
	1.9	Wheelbase	y	mm	1440	1440	1440	
	Weight	2.1	Service weight including battery		kg	2446	2753	2951
2.3		Axle load, mast retracted without load, drive/support arm wheel		kg	1531/915	1700/1053	1804/1147	
2.4		Axle load, mast extended with load, drive/support arm wheel		Kg	444/3205	502/3657	492/4068	
2.5		Axle load, mast retracted with load, drive/support arm wheel		Kg	1388/2261	1440/2718	1489/3070	
Wheels		3.1	Drive/support arm wheel			Vulkollan®	Vulkollan®	Vulkollan®
	3.2	Wheel size, front		mm	Ø 330	Ø 330	Ø 330	
	3.3	Wheel size, rear		mm	Ø 280	Ø 280	Ø 280	
	3.5	Wheels, number front/rear (x=driven wheels)			1x/2	1x/2	1x/2	
	3.7	Track width, rear	b <sub>11</sub>	mm	1134	1134	1134	
	Dimensions	4.1	Tilt of fork, forward/backward	$\alpha/\beta$	deg	4°/-2°	4°/-2°	4°/-2°
		4.2	Height, mast lowered	h <sub>1</sub>	mm	2182	2182	2182
4.3		Free lift	h <sub>2</sub>	mm	1550	1550	1550	
4.4		Lift	h <sub>3</sub>	mm	4760	4760	4760	
		Lift height	h <sub>23</sub>	mm	4800	4800	4800	
4.5		Height, mast extended	h <sub>4</sub>	mm	5432	5432	5432	
4.7		Height of overhead guard (cab)	h <sub>6</sub>	mm	2153	2153	2153	
4.8		Seat height	h <sub>7</sub>	mm	1075	1075	1075	
4.10		Height of support arms	h <sub>8</sub>	mm	245	245	245	
4.15		Height of lowered forks	h <sub>13</sub>	mm	40	40	40	
4.19		Overall length	l <sub>1</sub>	mm	2364	2364	2436	
4.20		Length to face of forks	l <sub>2</sub>	mm	1214	1214	1286	
4.21		Overall width	b <sub>1</sub>	mm	1270	1270	1270	
4.22		Fork dimensions	s/e/l	mm	40/100/1150*	40/100/1150*	40/100/1150*	
4.23		Fork carriage ISO 2328, class/type A, B			II A	II A	II A	
4.24		Fork-carriage width	b <sub>3</sub>	mm	850	850	850	
4.25		Width over forks	b <sub>5</sub>	mm	250-738	250-738	250-738	
4.26		Distance between support arms	b <sub>4</sub>	mm	900	900	900	
4.28		Reach distance	l <sub>4</sub>	mm	613	613	541	
4.31		Ground clearance, with load, below mast	m <sub>1</sub>	mm	70	70	70	
4.32		Ground clearance, centre of wheelbase <sup>1)</sup>	m <sub>2</sub>	mm	70	70	70	
4.33		Aisle width for pallets 1000 x 1200 crossways	A <sub>st</sub>	mm	2706	2706	2758	
4.34		Aisle width for pallets 800 x 1200 lengthways	A <sub>st</sub>	mm	2749	2749	2814	
4.35	Turning radius	W <sub>a</sub>	mm	1668	1668	1668		
4.37	Length across support arms	l <sub>7</sub>	mm	1828	1828	1828		
Performance data	5.1	Travel speed, with/without load		km/h	10,0/10,0	10,0/10,0	10,0/10,0	
	5.2	Lift speed, with/without load		m/s	0,31/0,43	0,30/0,43	0,28/0,43	
	5.3	Lowering speed, with/without load		m/s	0,49/0,52	0,51/0,52	0,52/0,52	
	5.4	Reach speed, with/without load		m/s	0,20/0,20	0,20/0,20	0,20/0,20	
	5.8	Max. gradeability, with/without load <sup>1)</sup>		%	15/18	12/20	11/18	
	5.10	Service brake			Electric	Electric	Electric	
Electric motor	6.1	Drive motor rating S2 60 min		kW	5,0	5,0	5,0	
	6.2	Lift motor rating S3 15%		kW	10,0	10,0	10,0	
	6.4	Battery voltage, nominal capacity K <sub>5</sub>		V/Ah	48/310*	48/465*	48/620	
	6.5	Battery weight		kg	552	719	903	
	6.6	Energy consumption acc to VDI cycle <sup>2)</sup>		kWh/h				
	Other	8.1	Type of drive control			Variable AC	Variable AC	Variable AC
8.4		Sound level at the driver's ear according to EN 12 053		dB(A)	70	68	68	

1) Measured according to company standard

2) Contact your supplier for information

\*) Other alternatives are available.

All data are based on table configuration. Other configurations may give other values.

Truck performance and dimensions are nominal and subject to tolerances.

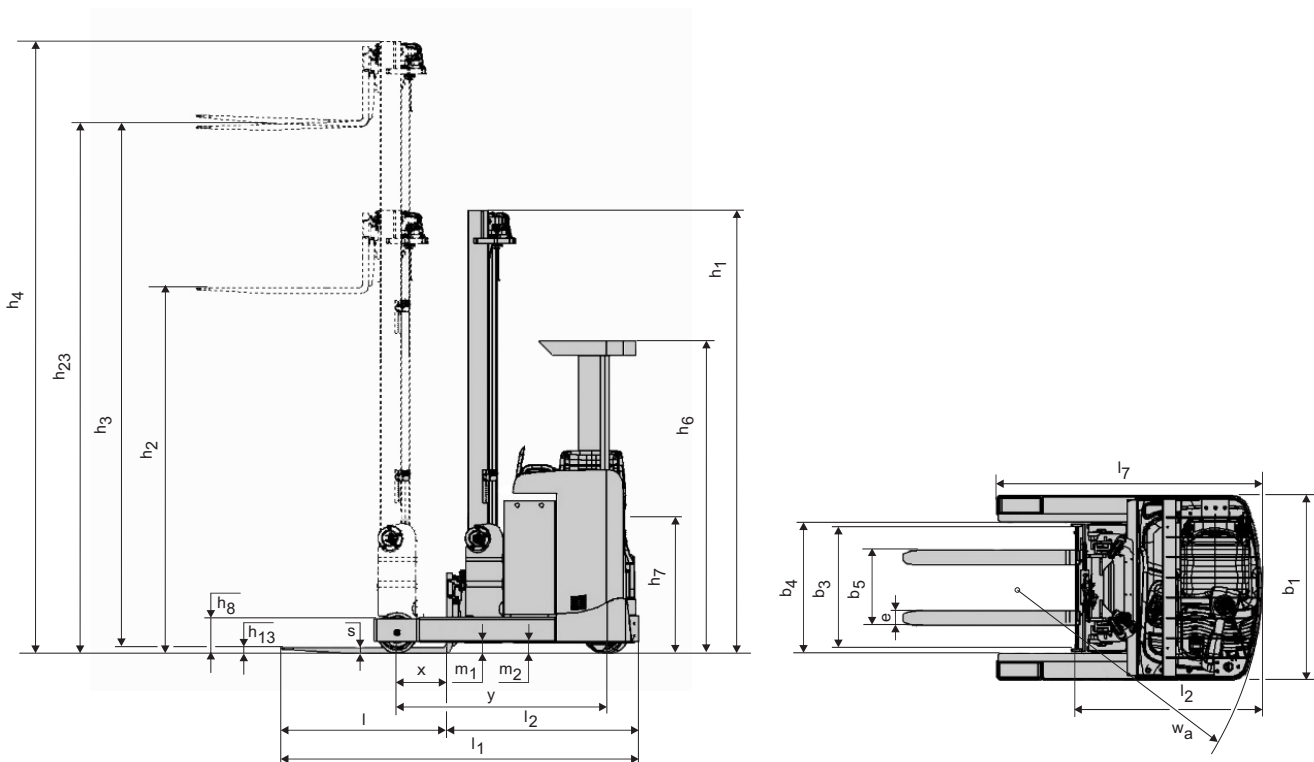
Toyota products and specifications are subject to change without notice.

# Battery compartment

Dimensions				8FBRE12S		8FBRE14S		8FBRE16S	
8FBRE-S	1.8	Depth		mm	275	275	275	347	347
	1.8	Load distance, centre of support arm wheel to face of forks without side shift	x	mm	453	453	453	381	381
			x	mm	415	415	415	343	343
			x	mm	404	404	404	332	332
	4.20	Length to face of forks without side shift	$l_2$	mm	1214	1214	1214	1286	1286
			$l_2$	mm	1252	1252	1252	1324	1324
			$l_2$	mm	1263	1263	1263	1335	1335
	4.33	Aisle width for pallets 1000x1200 crossways without side shift	$A_{st}$	mm	2706	2706	2706	2758	2758
			$A_{st}$	mm	2738	2738	2738	2790	2790
			$A_{st}$	mm	2767	2767	2767	2828	2828
	4.34	Aisle width for pallets 800x1200 lengthways without side shift	$A_{st}$	mm	2749	2749	2749	2814	2814
			$A_{st}$	mm	2769	2769	2769	2836	2836
			$A_{st}$	mm	2775	2775	2775	2843	2843
	4.35	Turning radius	$W_a$	mm	1668	1668	1668	1668	1668
6.4	Battery voltage, nominal capacity $K_5$		V/Ah	310	465	465	620	620	
6.5	Battery weight, min.—max.		kg	485-590	660-785	660-785	845-995	845-995	

# Mast dimensions, mm

8FBRE-S			Duplex Tele mast					Triplex Hilo mast									
Lift height	$h_{23}$	mm	3000	3500	4000	4500	5000	4400	4800	5400	5700	6300	6750	7000	7500	8000	8500
Lift	$h_3$	mm	2960	3460	3960	4460	4960	4360	4760	5360	5660	6260	6710	6960	7460	7960	8460
12S	Height, mast lowered	$h_1$	2050	2300	2550	2800	3050	2049	2182	2382	2482	2682	2932	3015	—	—	—
	Free lift	$h_2$	—	—	—	—	—	1416	1550	1750	1850	2050	2300	2384	—	—	—
	Heigh, mast extended	$h_4$	3550	4050	4550	5050	5550	5033	5432	6032	6332	6932	7382	7631	—	—	—
14S	Height, mast lowered	$h_1$	2050	2300	2550	2800	3050	2049	2182	2382	2482	2682	2932	3015	3223	3390	3556
	Free lift	$h_2$	—	—	—	—	—	1416	1550	1750	1850	2050	2300	2384	2590	2756	2924
	Heigh, mast extended	$h_4$	3550	4050	4550	5050	5550	5033	5432	6032	6332	6932	7382	7631	8133	8634	9132
16S	Height, mast lowered	$h_1$	2050	2300	2550	2800	3050	2049	2182	2382	2482	2682	2932	3015	3223	3390	3556
	Free lift	$h_2$	—	—	—	—	—	1416	1550	1750	1850	2050	2300	2384	2590	2756	2924
	Heigh, mast extended	$h_4$	3550	4050	4550	5050	5550	5033	5432	6032	6332	6932	7382	7631	8133	8634	9132



---

## Truck features:

- Car pedal layout
- Automatic parking brake
- Single function levers
- Adjustable floor
- Duplex Tele mast — Panoramic View
- Triplex Hilo mast — Clear View

